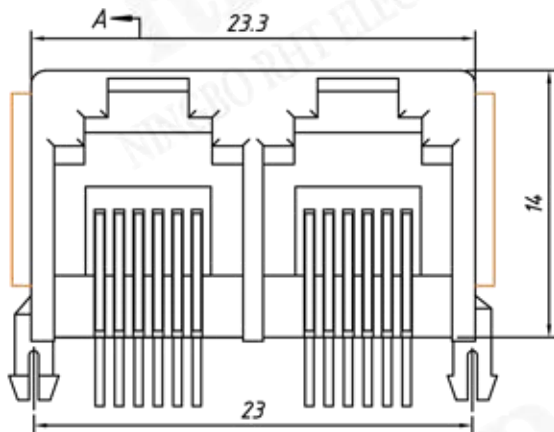
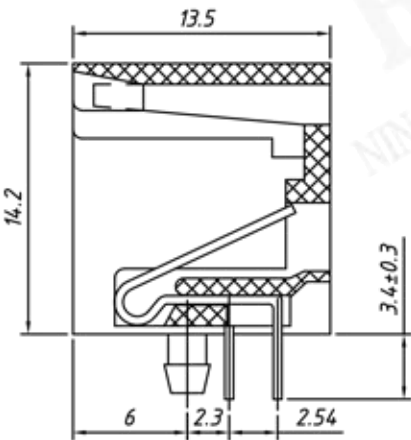


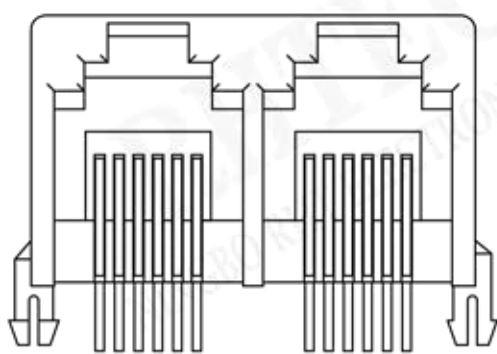
PCB Layout



With Panel



SECTION A-A



Without Panel

**Material:**  
 Housing: PBT+Glass Filled Polyester  
 Flammability Rating : UL 94V-0  
 Contacts: Phosphor Bronze  $\phi 0.46\text{mm}$   
 Plating: Gold Plating

**Electrical:**  
 Voltage Rating: 125VAC  
 Current Rating: 1.5A  
 Contact Resistance: 30m $\Omega$  Max.  
 Insulation Resistance: 500M $\Omega$  Min.  
 Dielectric Strength: 1000VAC Rms 50Hz, 1 Min.  
 Durability: 600 cycles Min.  
 Operation Temperature: -40°C ~ +70°C

Order Information

RE - C - 127 - 6P6C - 1X2 - W - X - XX

Contacts: 6P6C  
 Panel: W-With Panel  
 W/O-Without Panel  
 Color Code:  
 1-Black  
 2-Gray  
 Plating Code:  
 01-Fu" Gold Plating  
 02-3u" Gold Plating  
 03-6u" Gold Plating  
 04-15u" Gold Plating  
 05-30u" Gold Plating

UNITS:mm	SHEET SIZE:A4	SCALE:---
>0~3	>3~18	>18~50
±0.12	±0.15	±0.3
		±0.5